



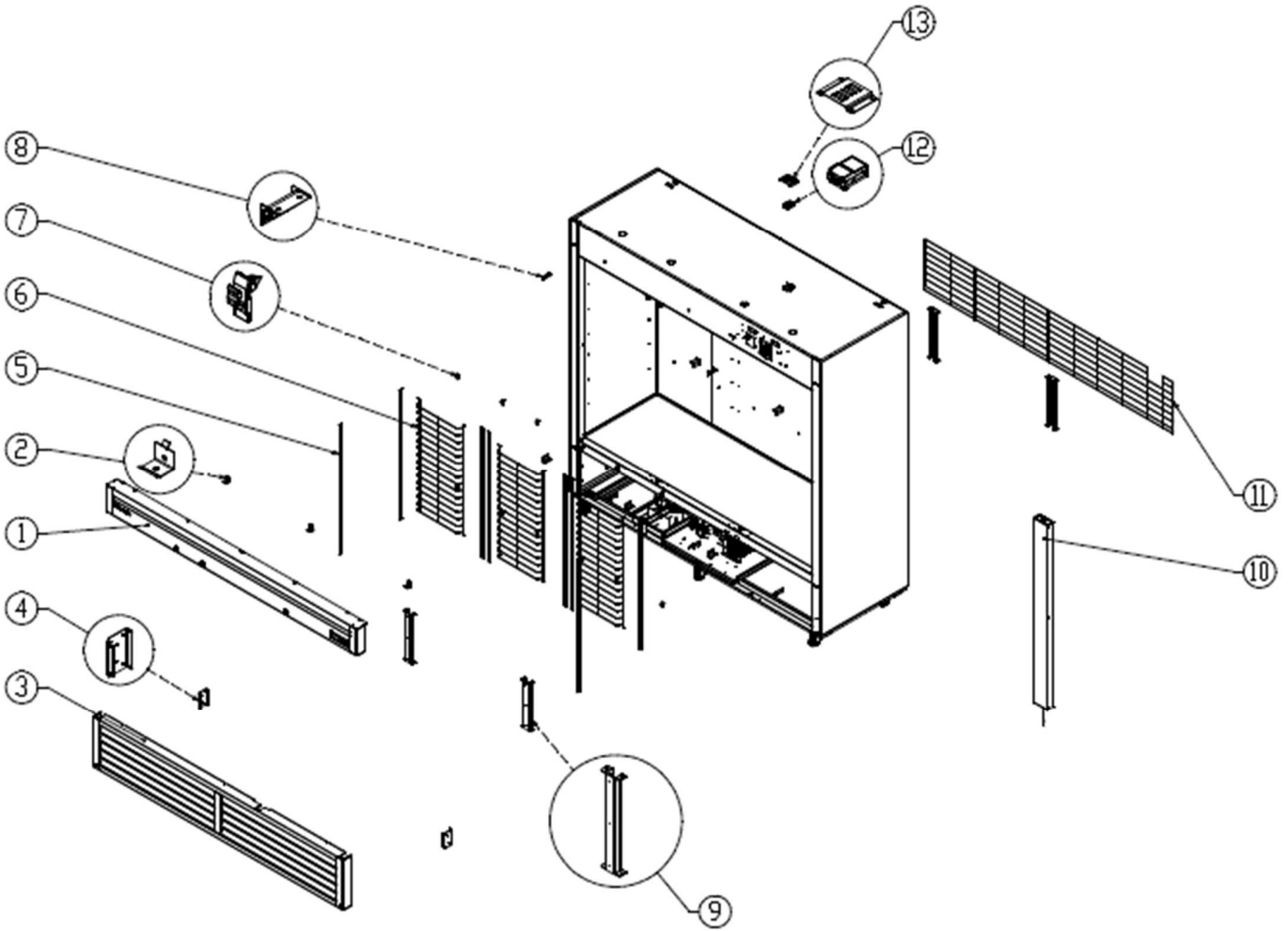
## ***PART MANUAL(REACH-IN) \_BOTTOM MOUNT***

---

### **TABLE OF CONTENTS**

- 1. Cabinet**
- 2. Assy Top Grill**
- 3. LED lamp (Glass)**
- 4. Door (Solid, Glass)**
- 5. Cycle**
- 6. Assy Eva**
- 7. Control box**
- 8. Accessories**

# 1. Cabinet

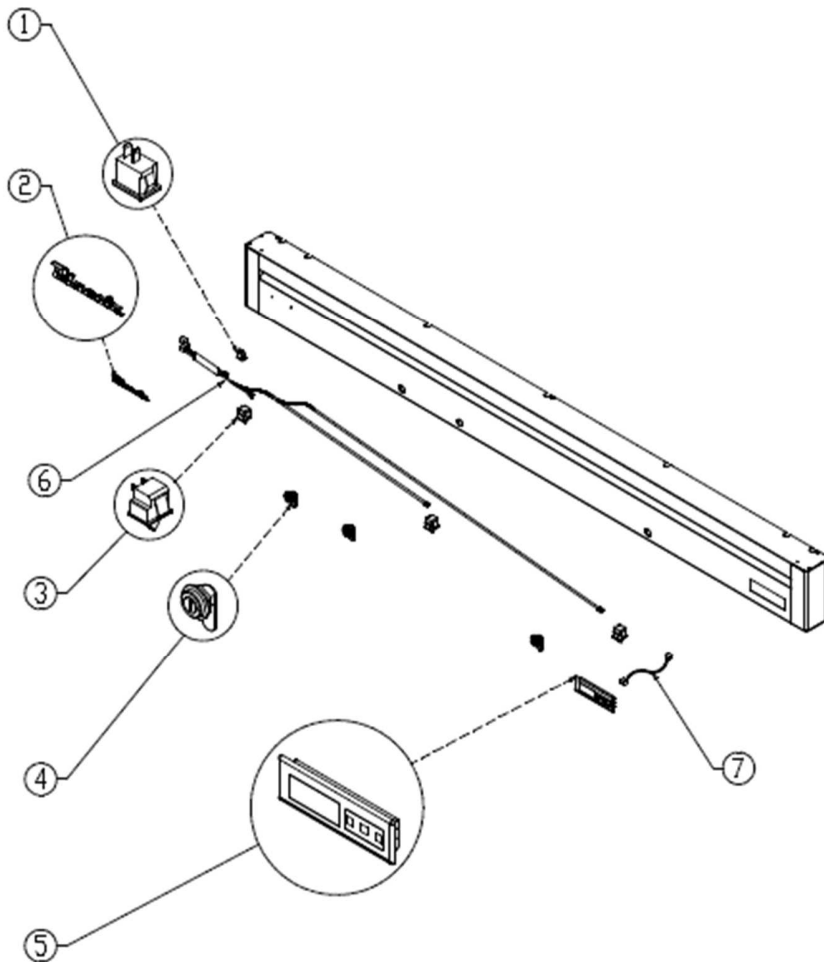


NO.	CODE-NO	PART NAME	BSR			BSF			NOTE
			23	49	72	23	49	72	
1	R818B-27	ASSY GRILL TOP	1			1			23-L: R818B-51 23G,23G-L: R818B-33
	R818B-28	ASSY GRILL TOP		1			1		49G: R818B-34
	R818B-29	ASSY GRILL TOP			1			1	
2	R3314-283	TOP FRAME BRACKET	2	3	3	2	3	3	
3	R818A-31	ASSY GRILL BOTTOM_23	1			1			23G,23G-L: R818A-55
	R818A-3	ASSY GRILL BOTTOM_49		1			1		49G: R818A-56
	R858C-3	BOTTOM GRILL AS			1			1	
4	R315A-161	BRACKET GRILLE	2	2	2	2	2	2	
5	R3373-63	SHELF STANDARD L	4	8	12	4	8	12	
6	R371A-6	SHELF REAR B	1	2	3	1	2	3	
7	R371A-851	SHELF REAR CLIP	4	8	12	4	8	12	
8	R325A-3	COVER CORNER	4	8	12	4	8	12	
9	R376A-26	SUPPORTER FRAME		2	4		2	4	
1	R816B-11	ASSY CROSS BAR BM		1	2		1	2	
11	R325C-8	COVER SAFTY WIRE MASH	1			1			
	R325C-81	COVER SAFTY WIRE MASH		1			1		
	R325C-82	COVER SAFTY WIRE MASH			1			1	
12	R858B-4	CHECK VALVE AS	1	1	1	1	1	2	
13	R315A-15	BRACKET CHECK VALVE	1	1	1	1	1	2	

※ For the 23-inch model with the opposite door configuration, all parts are shared except for those specifically listed as dedicated components. (23-L)

※ For the glass door model, it is shared with the solid door model except for the dedicated parts indicated in the NOTE.

## 2. Assy Top grill

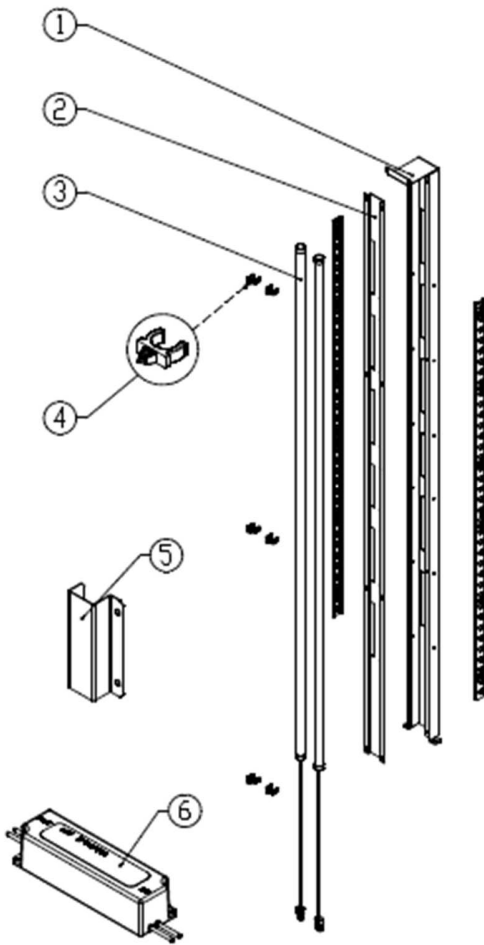


NO.	CODE-NO	PART NAME	BSR			BSF			NOTE
			23	49	72	23	49	72	
1	R734A-3	SWITCH POWER	1	1	1	1	1	1	Use 2 glass models
2	R514A-26	MASCOT (BLUEAIR)	1	1	1	1	1	1	
3	R734A-4	SWITCH DOOR	1	2	3	1	2	3	
4	R3734-3	DOOR LOCKING ASSY	1	2	3	1	2	3	
5	R858K-59	DISPLAY AS	1	1	1	1	1	1	
6	R719E-4	HARNESS SWITCH	1			1			
	R719E-41	HARNESS SWITCH		1			1		
	R719E-42	HARNESS SWITCH			1			1	
7	R719E-91	HARNESS CONNECT 5P	1		1	1		1	
	R719E-38	HARNESS CONNECT 5P		1			1		

※ For the 23-inch model with the opposite door configuration, all parts are shared except for those specifically listed as dedicated components. (23-L)

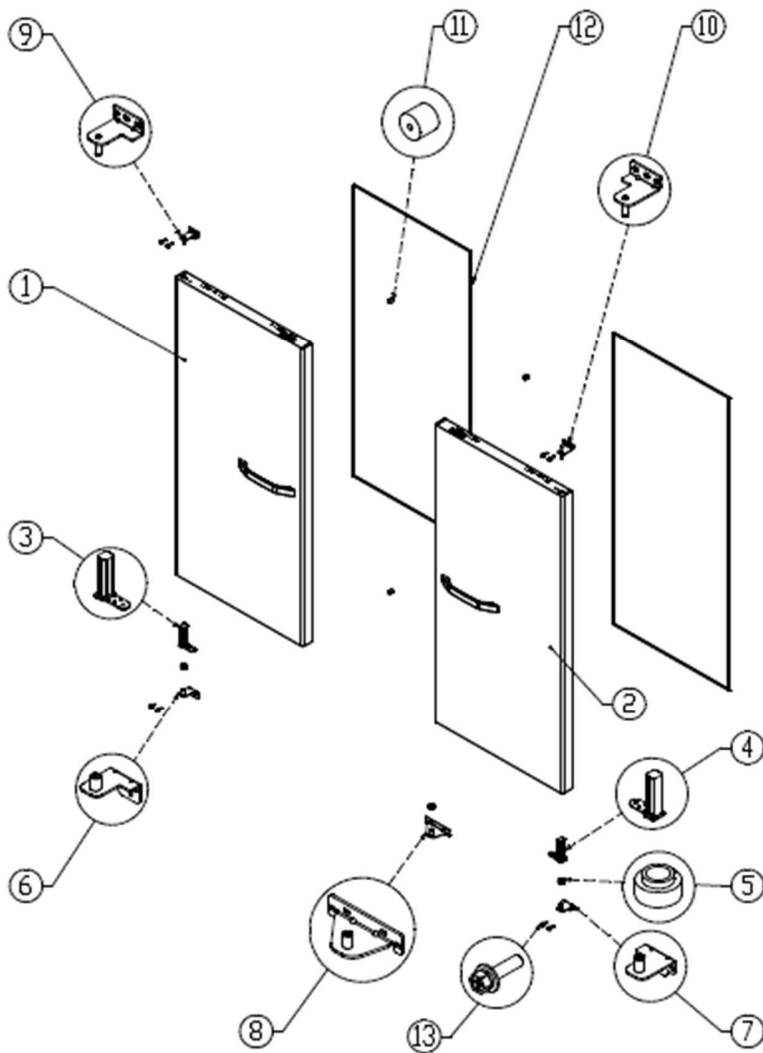
※ For the glass door model, it is shared with the solid door model except for the dedicated parts indicated in the NOTE.

### 3. LED Lamp (Glass)



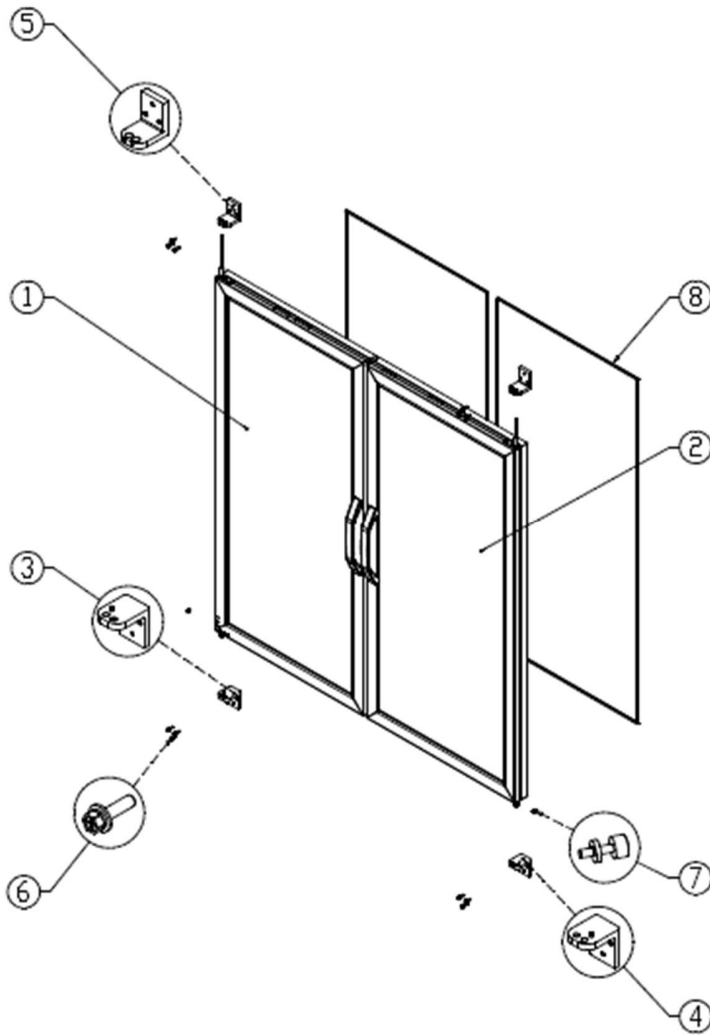
NO.	CODE-NO	PART NAME	BSR(G)		NOTE
			23G	49G	
1	R376A-42	SUPPORTER LAMP (R29 49G)		1	Use only glass models
2	R325C-83	COVER SUPPORTER LAMP (R29 49G)		1	
3	R858F-77	LED AS	1	2	
4	R315D-12	BRACKET LED	3	6	
5	R315B-27	BRACKET LED HARNESS	1		
6	R71A-2	BALLAST (CONVERTER)	1	1	

#### 4. Door (Solid)



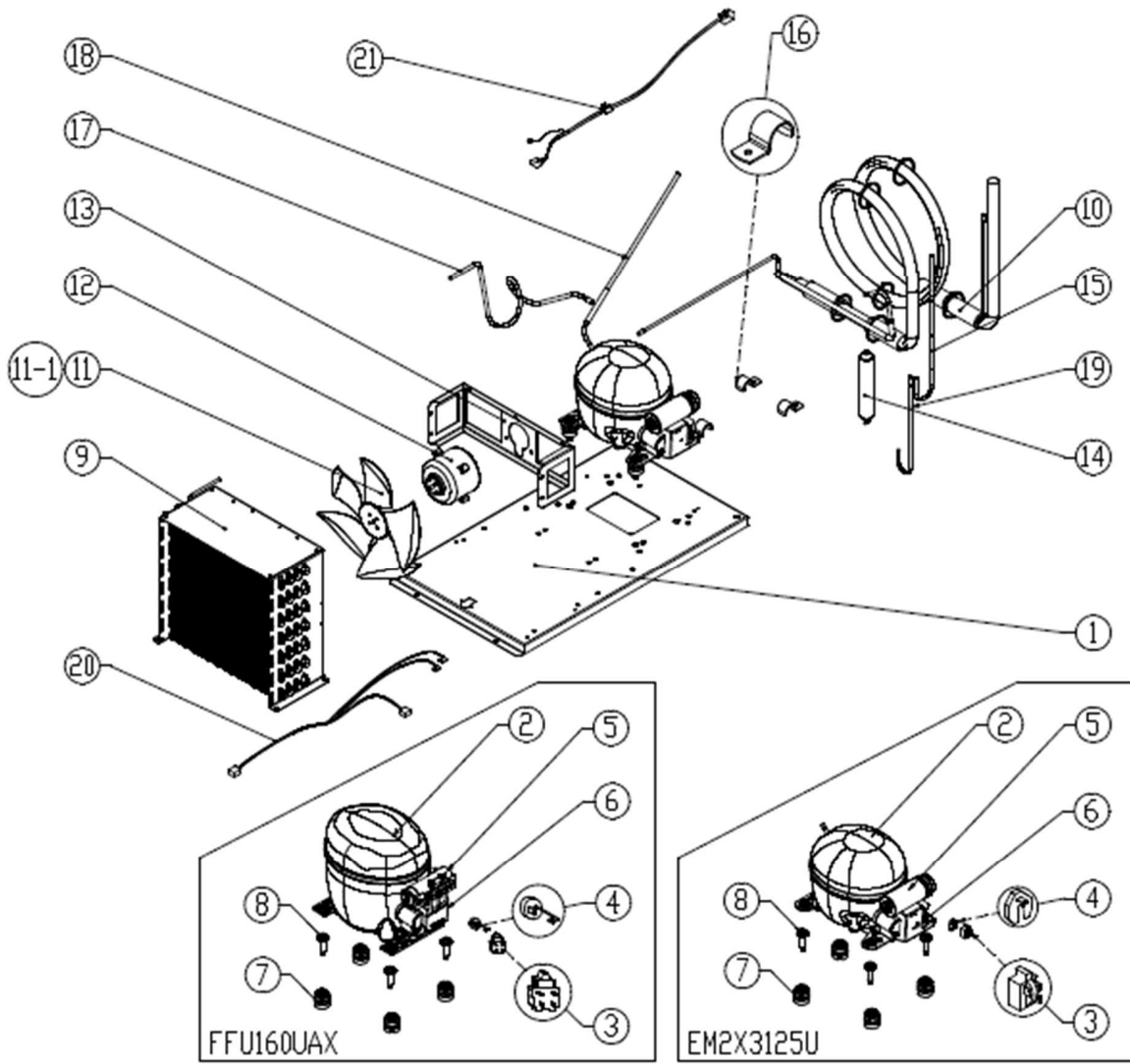
NO.	CODE-NO	PART NAME	BSR			BSF			NOTE
			23	49	72	23	49	72	
1	R817D-45	ASSY DOOR LF-BM		1	1		1	1	
2	R817D-44	ASSY DOOR RH-BM	1	1	2	1	1	2	
3	R828A-41	ASSY HINGE LF(R-29 BLUE AIR)		1	1		1	1	
4	R828A-42	ASSY HINGE RH(R-29 BLUE AIR)	1	1	2	1	1	2	
5	R343A-44	HINGE WASHER (R29 BM/TM-HC)	1	2	3	1	2	3	
6	R828A-31	ASSY HINGE B/K LF LOW (BM-HC)		1	1		1	1	
7	R828A-32	ASSY HINGE B/K RH LOW (BM-HC)	1	1	1	1	1	1	
8	R828A-4	ASSY HINGE B/K MID 72 (BM-HC)			1			1	
9	R828A-33	ASSY HINGE B/K LF UPP (BM/TM-HC)		1	1		1	1	
1	R828A-34	ASSY HINGE B/K RH UPP (BM/TM-HC)	1	1	2	1	1	2	
11	R1254-52	DOOR RUBBER LEG	3	6	9	3	6	9	
12	R338A-4	GASKET DOOR BM	1	2	3	1	2	3	
13	Z394A-28	SCREW MACHIN	4	8	12	4	8	12	

#### 4. Door (Glass)



NO.	CODE-NO	PART NAME	BSR(G)		NOTE
			23G	49G	
1	R817D-79	ASSY DOOR GLASS LF_115V		1	
2	R817D-78	ASSY DOOR GLASS RH_115V	1	1	
3	R3393-353	DOOR HINGE BOTTOM LF		1	
4	R3393-343	DOOR HINGE BOTTOM RH	1	1	
5	R3393-313	DOOR HINGE TOP	1	2	
6	Z394A-28	SCREW MACHIN	6	12	
7	R412A-5	PIN TENSION	1	2	
8	R338A-8	GASKET DOOR BM-G	1	2	

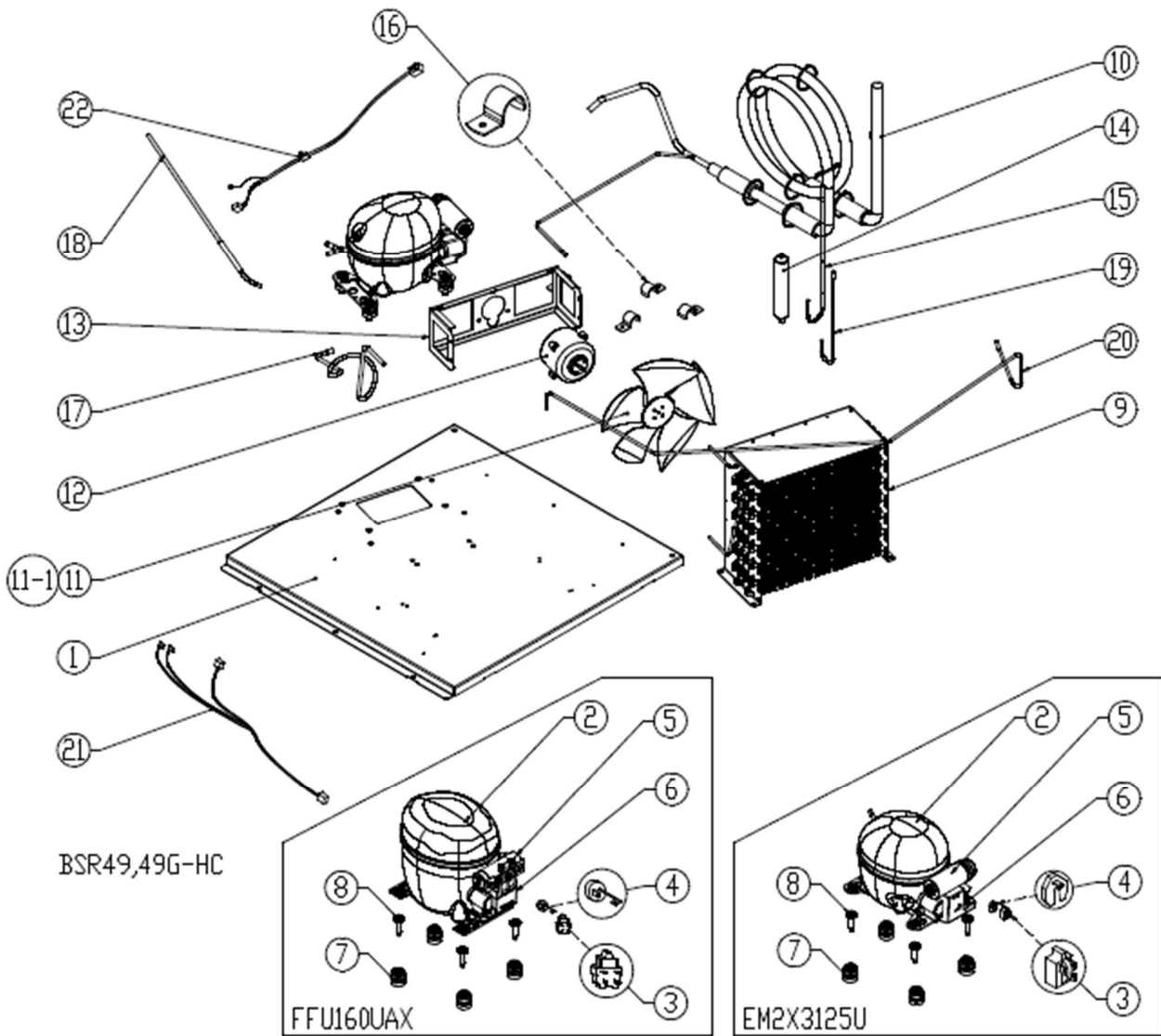
### 5. Cycle(23Model)



BSR23,23-L,23G,23G-L-HC  
BSF23,23-L-HC

NO.	CODE-NO	PART NAME	BSR	BSF	NOTE
			23	23	
1	R312A-92	BASE COMP(BM23R/F/RG-HC)	1	1	
2	R714A-62	COMPRESSOR	1		
	R714A-63	COMPRESSOR		1	
3	R73A-17	RELAY PTC (EM2X3125U)	1		
	R73A-18	RELAY PTC (FFU16UAX)		1	
4	R727A-13	O/L PROTECTOR (EM2X3125U)	1		
	R727A-18	O/L PROTECTOR (FFU16UAX)		1	
5	R739A-1	CAPACITOR RUNNING (EM2X3125U)	1		
	R739A-11	CAPACITOR STARTING (FFU16UAX)		1	
6	R325C-86	COVER RELAY (EM2X3125U)	1		
	R325C-98	COVER RELAY (FFU16UAX)		1	
7	R3A-3	GROMMET COMP	4	4	
8	Z394A-811	SCREW MACHINE-COMP(SAMSUNG)	4	4	
9	R212A-14	CONDENSER	1	1	
10	R858G-87	PIPE HOT&COMPRESSOR PULL OUT AS	1		
	R858G-88	PIPE HOT&COMPRESSOR PULL OUT AS		1	
11	R831A-21	ASSY MOTOR COND (R29 FE-COND)	1		
	R831A-27	MOTOR COND AS (R29 FE-ESTAR5)		1	
11-1	R3729-5	CONDENSER FAN MOTOR BLADE (토출)	1		
	R333A-8	FAN BLADE COND		1	
12	R7423-311	CONDENSER FAN MOTOR (115V)	1		
	R726A-19	MOTOR COND FAN(ECM7112)		1	
13	R315B-43	BRACKET COND MOTOR (FE-COND)	1	1	
14	R2183-32	DRYER	1	1	
15	R319C-96	PIPE DRYER (R29)	1	1	
16	R315A-9	BRACKET PULL OUT	4	4	
17	R319C-97	PIPE COND IN (R29 BM EM2X)	1		
	R319C-981	PIPE COND IN (R29 BM FFU)		1	
18	R319C-94	PIPE CHARGE (R29 EM2X)	1		
	R319C-95	PIPE CHARGE (R29 FFU)		1	
19	R319C-34	PIPE HOT-DRYER	1	1	
2	R719E-47	HARNESS COMP (R29 REF/23F)	1	1	
21	R729A-17	POWER CORD (R-29)	1	1	

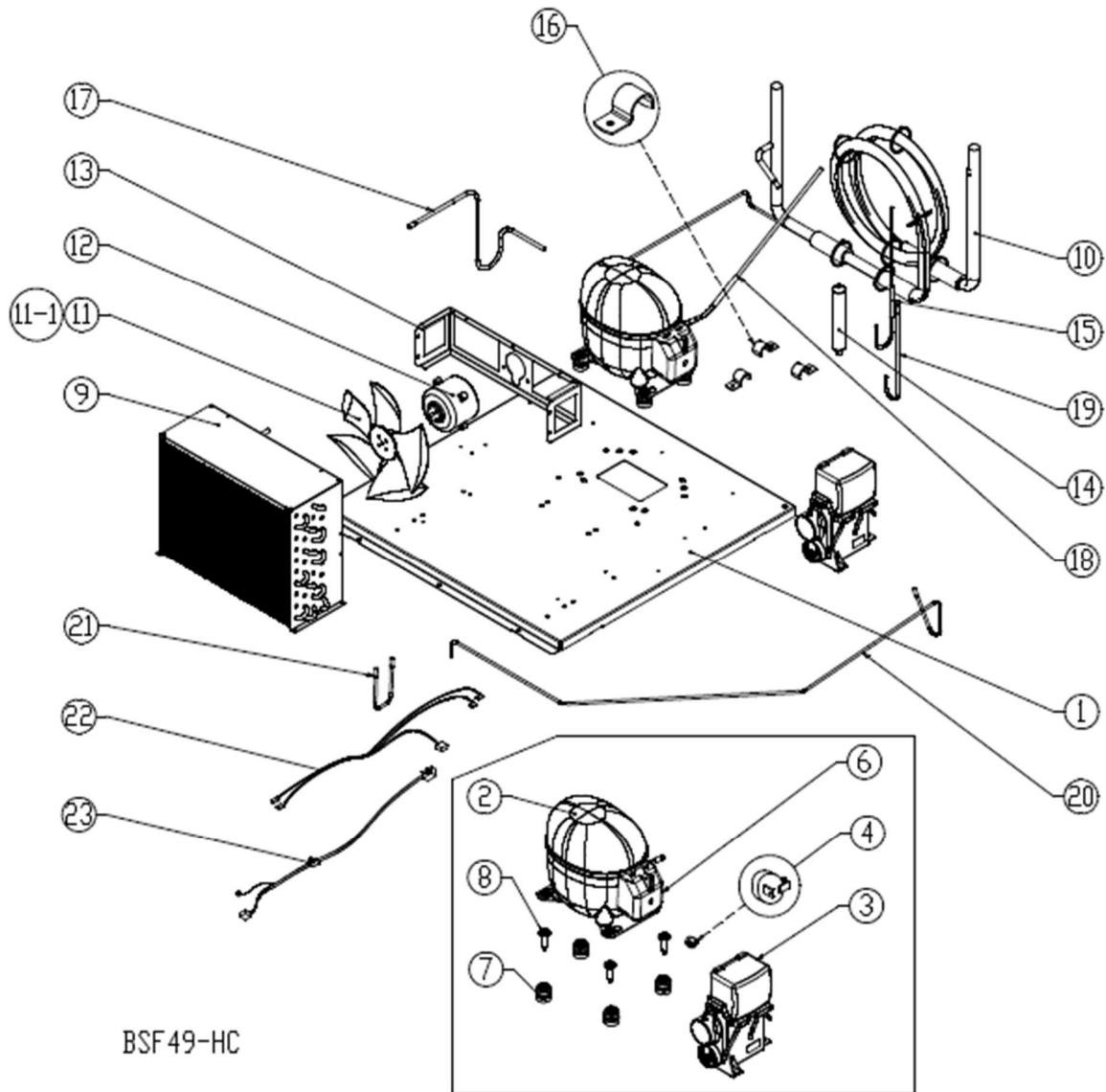
### 5. Cycle (BSR49,49G)



NO.	CODE-NO	PART NAME	BSR	NOTE
			49	
1	R312A-11	BASE COMP(BM49R)	1	49G: R322-516
2	R714A-62	COMPRESSOR	1	49G: R714A-63
3	R73A-17	RELAY PTC (EM2X3125U)	1	49G: R73A-18
4	R727A-13	O/L PROTECTOR (EM2X3125U)	1	49G: R727A-18
5	R739A-1	CAPACITOR RUNNING (EM2X3125U)	1	49G: R739A-11
6	R325C-86	COVER RELAY (EM2X3125U)	1	49G: R325C-98
7	R3A-3	GROMMET COMP	4	
8	Z394A-811	SCREW MACHINE-COMP(SAMSUNG)	4	
9	R212A-14	CONDENSER	1	
1	R858G-89	PIPE HOT&COMPRESSOR PULL OUT AS	1	49G: R858G-91
11	R831A-21	ASSY MOTOR COND (R29 FE-COND)	1	
11-1	R3729-5	CONDENSER FAN MOTOR BLADE (토출)	1	
12	R7423-311	CONDENSER FAN MOTOR (115V)	1	
13	R315B-43	BRACKET COND MOTOR (R29 FE-COND)	1	
14	R2183-32	DRYER	1	
15	R319C-96	PIPE DRYER (R29)	1	
16	R315A-9	BRACKET PULL OUT	4	
17	R319C-97	PIPE COND IN (R29 BM EM2X)	1	49G: R319C-981
18	R319C-94	PIPE CHARGE(R29 EM2X)	1	49G: R319C-95
19	R319A-571	PIPE CROSS BAR OUTLET BM72F	1	
	R319C-34	PIPE HOT-DRYER	1	
2	R326A-1	CROSS BAR PIPE OUT BM49	1	
21	R719E-47	HARNESS COMP (R29 REF/23F)	1	
22	R729A-17	POWER CORD (R-29)	1	

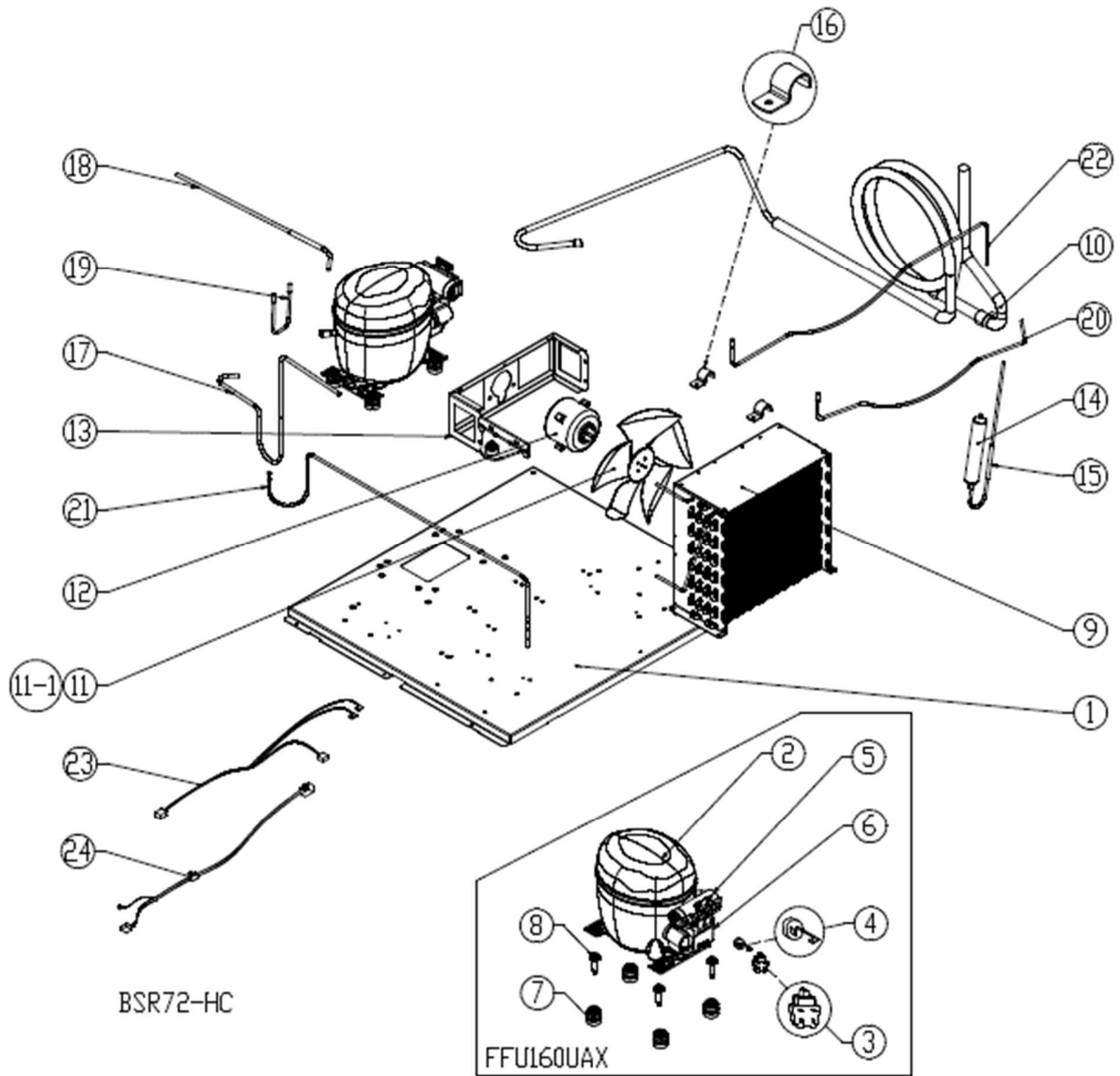
※ For the glass door model, it is shared with the solid door model except for the dedicated parts indicated in the NOTE.

### 5. Cycle (BSF49)



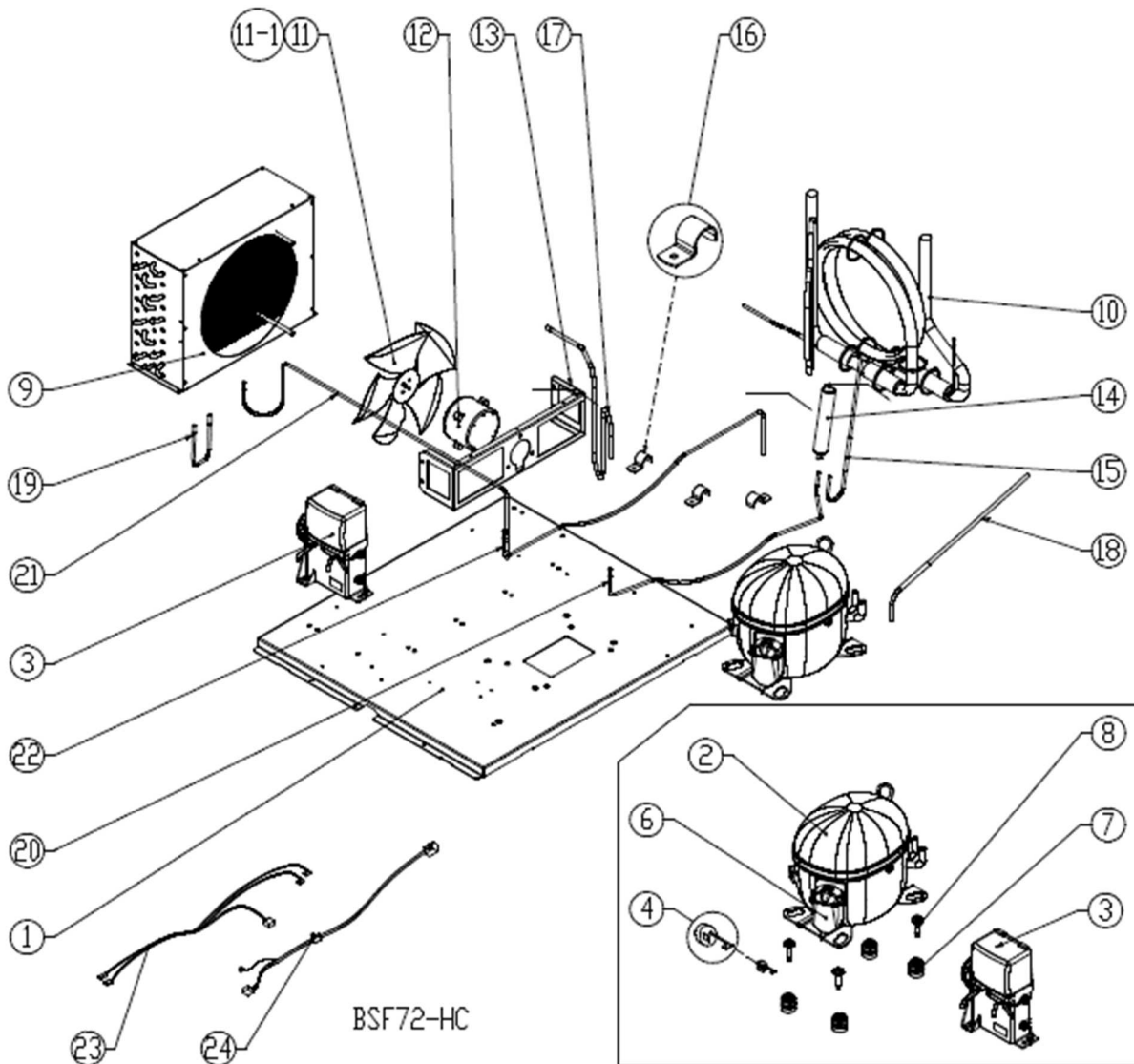
NO.	CODE-NO	PART NAME	BSF	NOTE
			49	
1	R312A-111	BASE COMP(BM49F)	1	
2	R714A-64	COMPRESSOR	1	
3	R714A-65	COMPRESSOR T-BOX(NEU2155U)	1	
4	R727A-15	O/L PROTECTOR (NEU2155U)	1	
6	R325C-88	COVER TERMINAL (NEU2155U)	1	
7	R3A-3	GROMMET COMP	4	
8	Z394A-811	SCREW MACHINE-COMP(SAMSUNG)	4	
9	R212A-15	CONDENSER	1	
1	R858G-9	PIPE HOT&COMPRESSOR PULL OUT AS	1	
11	R831A-22	ASSY MOTOR COND (R29 CU-COND)	1	
11-1	R3729-5	CONDENSER FAN MOTOR BLADE (토출)	1	
12	R7423-311	CONDENSER FAN MOTOR (115V)	1	
13	R315B-44	BRACKET COND MOTOR (CU-COND)	1	
14	R2183-32	DRYER	1	
15	R319C-96	PIPE DRYER (R29)	1	
16	R315A-9	BRACKET PULL OUT	4	
17	R319C-99	PIPE COND IN (R29 BM NEU)	1	
18	R319C-95	PIPE CHARGE (R29 FFU)	1	
19	R319C-34	PIPE HOT-DRYER	1	
2	R319A-571	PIPE CROSS BAR OUTLET BM72F	1	
21	R326A-1	CROSS BAR PIPE OUT BM49	1	
22	R719E-5	HARNESS COMP (R29 72F)	1	
23	R729A-17	POWER CORD (R-29)	1	

### 5. Cycle (BSR72)



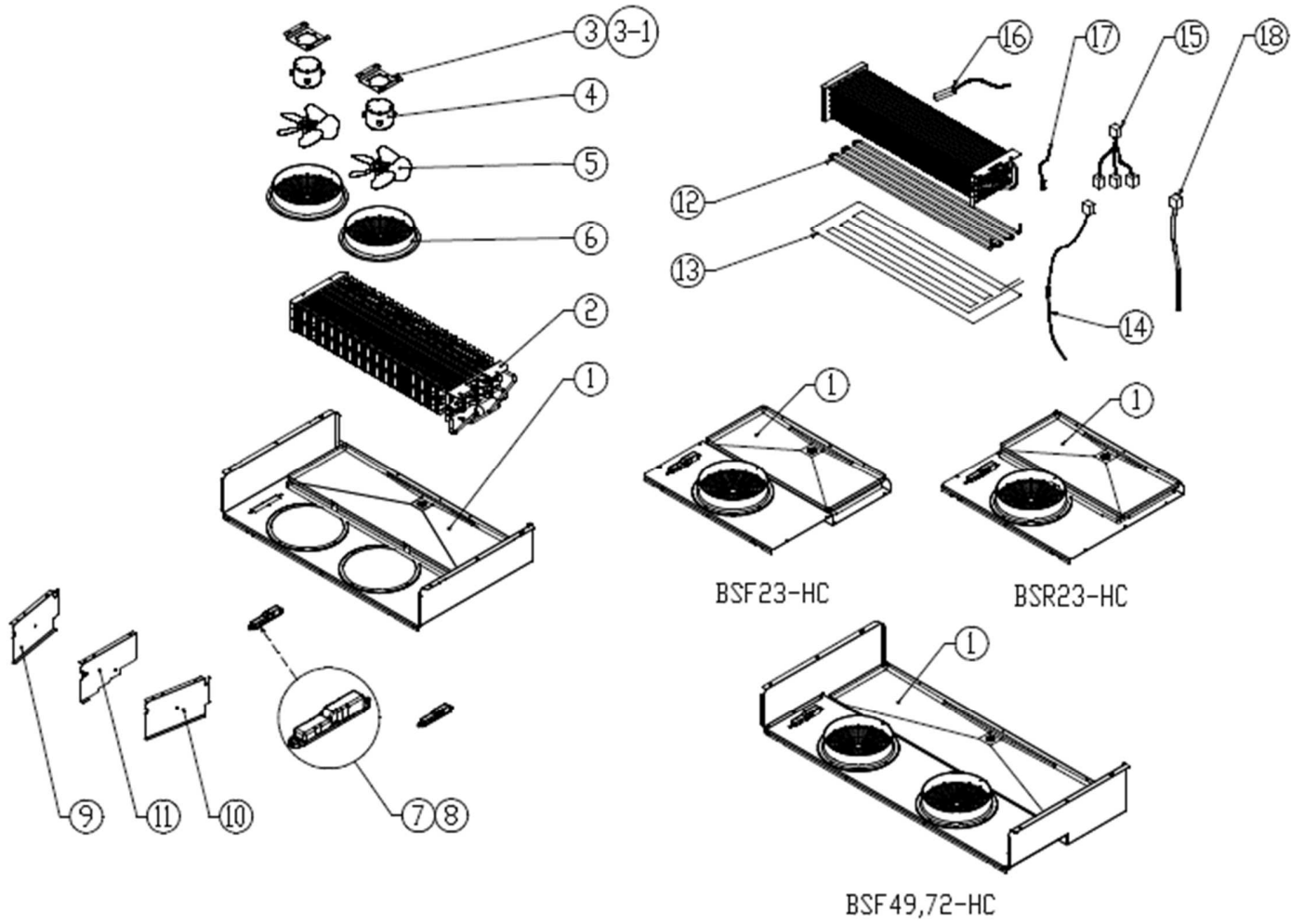
NO.	CODE-NO	PART NAME	BSR	NOTE
			72	
1	R312A-64	BASE COMP BM72	1	
2	R714A-63	COMPRESSOR	1	
3	R73A-18	RELAY PTC (FFU16UAX)	1	
4	R727A-18	O/L PROTECTOR (FFU16UAX)	1	
5	R739A-11	CAPACITOR STARTING (FFU16UAX)	1	
6	R325C-98	COVER RELAY (FFU16UAX)	1	
7	R3A-3	GROMMET COMP	4	
8	Z394A-811	SCREW MACHINE-COMP(SAMSUNG)	4	
9	R212A-14	CONDENSER	1	
1	R858G-92	PIPE HOT&COMPRESSOR PULL OUT AS	1	
11	R831A-21	ASSY MOTOR COND (R29 FE-COND)	1	
11-1	R3729-5	CONDENSER FAN MOTOR BLADE (토출)	1	
12	R7423-311	CONDENSER FAN MOTOR (115V)	1	
13	R315B-43	BRACKET COND MOTOR (R29 FE-COND)	1	
14	R2183-32	DRYER	1	
15	R319C-96	PIPE DRYER (R29)	1	
16	R315A-9	BRACKET PULL OUT	4	
17	R319C-981	PIPE COND IN (R29 BM FFU)	1	
18	R319C-95	PIPE CHARGE (R29 FFU)	1	
19	R319A-571	PIPE CROSS BAR OUTLET BM72F	1	
2	R319B-651	PIPE HOT INLET BM72F	1	
21	R326A-13	CROSS BAR CONNECT BM72F	1	
22	R326A-111	CROSS BAR PIPE IN BM72F	1	
23	R719E-47	HARNESS COMP (R29 REF/23F)	1	
24	R729A-17	POWER CORD (R-29)	1	

### 5. Cycle (BSF72)



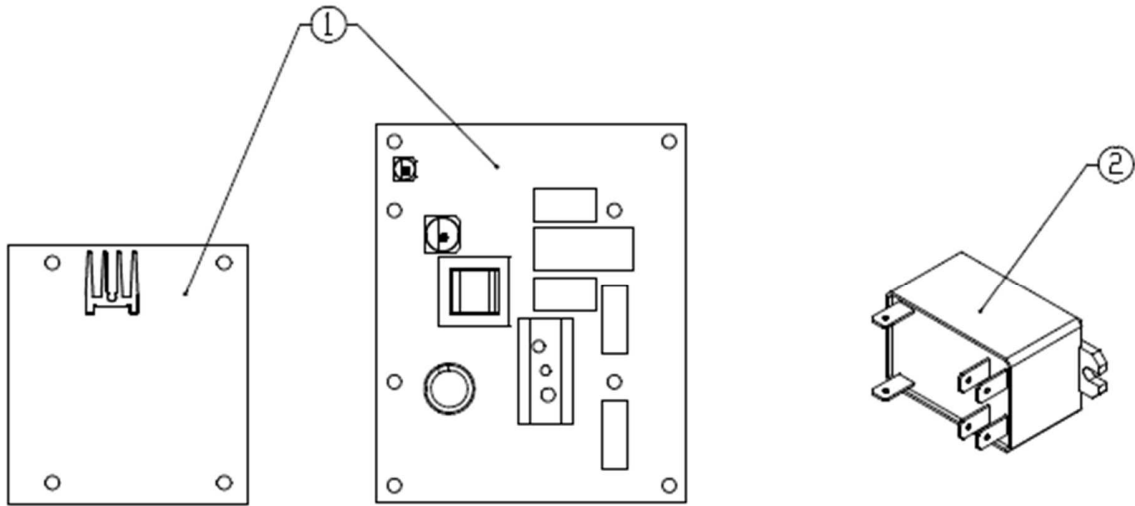
NO.	CODE-NO	PART NAME	BSF	NOTE
			72	
1	R312A-72	BASE COMP BM72F	1	
2	R714A-68	COMPRESSOR	1	
3	R714A-76	COMPRESSOR T-BOX (NT218UV)	1	
4	R727A-16	O/L PROTECTOR (NT218UV)	1	
6	R325C-89	COVER TERMINAL (NT218UV)	1	
7	R3A-3	GROMMET COMP	4	
8	Z394A-811	SCREW MACHINE-COMP(SAMSUNG)	4	
9	R212A-15	CONDENSER	1	
1	R858G-93	PIPE HOT&COMPRESSOR PULL OUT AS	1	
11	R831A-22	ASSY MOTOR COND (R29 CU-COND)	1	
11-1	R3729-5	CONDENSER FAN MOTOR BLADE (토출)	1	
12	R7423-311	CONDENSER FAN MOTOR (115V)	1	
13	R315B-44	BRACKET COND MOTOR (R29 CU-COND)	1	
14	R2183-32	DRYER	1	
15	R319C-96	PIPE DRYER (R29)	1	
16	R315A-9	BRACKET PULL OUT	3	
17	R319D-1	PIPE COND IN (R29 BM NT)	1	
18	R319C-95	PIPE CHARGE(R29 FFU)	1	
19	R319A-571	PIPE CROSS BAR OUTLET BM72F	1	
2	R319B-651	PIPE HOT INLET BM72F	1	
21	R326A-13	CROSS BAR CONNECT BM72F	1	
22	R326A-111	CROSS BAR PIPE IN BM72F	1	
23	R719E-5	HARNESS COMP (R29 72F)	1	
24	R729A-17	POWER CORD (R-29)	1	

## 6. Assy Eva



NO.	CODE-NO	PART NAME	BSR			BSF			NOTE
			23	49	72	23	49	72	
1	R813A-14	ASSY EVA COVER	1						23G,23G-L: R3813-483
	R813A-171	ASSY EVA COVER		1					49G: R3813-332
	R813A-21	ASSY EVA COVER			1				
	R813A-83	ASSY EVA COVER				1			
	R813A-84	ASSY EVA COVER					1		
	R813A-85	ASSY EVA COVER						1	
2	R214A-151	EVAPORATOR (R29 BM 23R/23RG)	1						
	R214A-161	EVAPORATOR (R29 BM 49R/49RG)		1					
	R214A-172	EVAPORATOR (R29 BM 72R)			1				
	R214A-181	EVAPORATOR (R29 BM 23F)				1			
	R214A-191	EVAPORATOR (R29 BM 49F)					1		
	R214A-21	EVAPORATOR (R29 BM 72F)						1	
3	R8329-6	EVAPORATOR FAN MOTOR ASSY	1	1	2	1	2	2	
3-1	R324-36	EVAPORATOR FAN MOTOR BRACKET	1	1	2	1	2	2	
4	R7423-31	EVAPORATOR FAN MOTOR (115V)	1	1	2	1	2	2	
5	R3729-1	EVAP FAN BLADE (8 INCH. CCW)	1	1	2	1	2	2	
6	R3812-142	EVAPORATOR FAN MOTOR GUARD	1	1	2	1	2	2	
7	R833A-5	ASSY LAMP LED	1	1	2	1	1	2	
8	R325A-141	COVER LAMP	1	1	2	1	1	2	
9	R3853-11	EVAPORATOR AIR GUIDE LF	1		1	1	1	1	49G: R341A-52
	R3853-21	EVAPORATOR AIR GUIDE LF		1					
1	R3853-9	EVAPORATOR AIR GUIDE RH	1		1	1	1	1	49G: R341A-51
	R3853-12	EVAPORATOR AIR GUIDE RH		1					
11	R3853-11	EVAPORATOR AIR GUIDE MID			1		1	1	
12	R853A-12	ASSY HEATER DRAIN HOSE				1			
	R853A-22	ASSY HEATER DRAIN HOSE					1		
	R853A-32	ASSY HEATER DRAIN HOSE						1	
13	R72A-592	HEATER DRAIN PAN (23F 115V)				1			
	R72A-62	HEATER DRAIN PAN (49F 115V)					1		
	R72A-552	HEATER DRAIN PAN (72F 115V)						1	
14	R72B-7	HEATER DEFROST (R29 BM 23F)				1			
	R72B-8	HEATER DEFROST (R29 BM 49F)					1		
	R72B-9	HEATER DEFROST (R29 BM 72F)						1	
15	R719B-63	HARNESS CONNECTOR HOUSING				1	1	1	
16	R732A-34	SENSOR DEF	1	1	1	1	1	1	
17	R7213-82	TEMP-THERMISTOR, FRE	1	1	1	1	1	1	
18	R838A-97	ASSY HARNESS TEMPERATURE FUSE				1	1	1	

## 7. Control Box



NO.	CODE-NO	PART NAME	BSR			BSF			NOTE
			23	49	72	23	49	72	
1	R725D-56	PCB MAIN(R29 BLUE AIR) (BM 냉장)	1	1	1				
	R725D-57	PCB MAIN(R29 BLUE AIR/MVP) (냉동)				1	1	1	
2	R748A-1	POWER RELAY					1	1	
3	R719G-11	HARNESS C-BOX AC (R29)	1	1	1	1	1	1	
4	R719G-12	HARNESS C-BOX DC (R29)	1	1	1	1	1	1	
5	R719G-1	HARNESS DISPLAY JOINT	1	1	1	1	1	1	
6	R719G-9	HARNESS DOOR S/W	1	1	1	1	1	1	